

# OIL WELL PUMP MOTORS



 **TECO**—Westinghouse 

MOTORS (CANADA) INC.

# Performance Data

Totally-Enclosed Fan-Cooled, 3/60/460V (575V available on request).  
 NEMA Design D, Class F Insulation, 40°C Ambient, Continuous Duty, 1.15 S.F



Based on 460V

Type AEEAFP	Frame Size	HP	Full Load RPM	Efficiency (%)			Power Factor (%)			Current		Torque			WK <sup>2</sup>		NEMA Code Letter	S.F.
				Full Load	3/4 Load	1/2 Load	Full Load	3/4 Load	1/2 Load	Full Load (A)	Locked Rotor (A)	Full Load lb-ft	Locked Rotor % FLT	Break- Down lb-ft	Rotor lb-ft <sup>2</sup>	Max. Load lb-ft <sup>2</sup>		
067R50	254T	7.5	1110	83.5	84.5	84.5	83.0	76.5	65.0	10.0	63.5	35.4	332	330	1.65	104	H	1.15
		5	1135	83.0	83.0	82.0	78.5	71.0	58.0	7.2	46	23.1	365	374			J	1.15
		3.5	1140	82.5	82.5	81.5	80.0	72.0	60.0	5.0	37.5	16.1	344	369			K	1.15
060010	256T	10	1110	84.0	85.5	86.0	84.0	78.0	67.0	13.3	81	47.2	329	326	2.03	173	H	1.15
		7.5	1125	83.0	84.5	84.5	82.0	75.5	64.0	10.3	63.5	34.9	319	326			H	1.15
		5	1135	83.5	84.0	84.0	82.0	75.0	64.0	6.8	46	23.1	317	338			H	1.15
060015	284T	15	1110	85.5	87.0	88.0	88.0	83.5	74.5	18.7	116	70.8	354	352	5.37	200	G	1.15
		10	1140	86.0	86.5	86.0	85.0	79.0	68.0	12.8	92	45.9	398	403			J	1.15
		7.5	1130	85.0	86.0	86.0	87.0	81.5	72.0	9.5	63.5	34.8	324	349			H	1.15
060020	286T	20	1110	86.5	88.0	88.5	89.0	85.5	77.0	24.5	145	94.3	398	367	7.89	262	G	1.15
		15	1130	87.0	88.0	87.5	87.5	83.0	73.0	18.5	130	69.5	394	376			H	1.15
		10	1135	87.0	87.5	87.5	83.0	83.0	73.0	12.5	92	46.1	376	383			J	1.15
060025	324T	25	1120	87.0	89.0	89.5	88.0	84.0	75.5	30.5	183	117	333	342	8.82	324	G	1.10
		20	1130	87.0	88.5	89.0	87.0	84.0	75.0	24.5	160	92.7	308	327			H	1.15
		15	1125	87.0	88.0	89.0	88.5	85.0	78.0	18.5	116	69.8	256	294			G	1.15
060030	326T	30	1115	87.5	89.5	90.0	90.5	90.5	87.5	35.5	218	141	330	330	12.2	384	G	1.10
		25	1140	86.5	88.5	88.0	88.0	86.0	79.0	31.0	190	117	297	312			G	1.15
		20	1120	85.0	87.5	89.0	89.0	87.5	82.0	25.0	145	95	228	253			G	1.15
060040	365T	40	1125	88.5	90.0	90.5	89.0	87.0	80.0	47.5	290	186	288	318	17.8	503	G	1.15
		30	1140	88.5	89.5	89.5	88.5	84.5	76.0	36.0	250	138	285	351			H	1.15
		25	1120	87.0	88.5	89.5	90.0	87.5	81.5	30.0	183	117	220	276			G	1.15
060050	405T	50	1140	89.5	90.5	91.0	92.0	90.0	84.0	57.0	363	230	298	361	29.1	620	G	1.15
		40	1150	88.5	90.0	89.5	91.5	89.0	82.5	46.5	330	182	268	340			H	1.15
		30	1140	87.5	89.0	89.5	91.5	90.0	85.0	35.0	218	138	205	293			G	1.15

- Note:
1. The above are typical values based on test.
  2. Actual load & full voltage starting: According to ANSI/IEEE standard 112-1978 method B.
  3. Efficiency power factor, speed, torque, are the same for other voltages, current values vary inversely with voltage.
  4. Data subject to change without notice.

# JMP MOTOR

## Dimensions

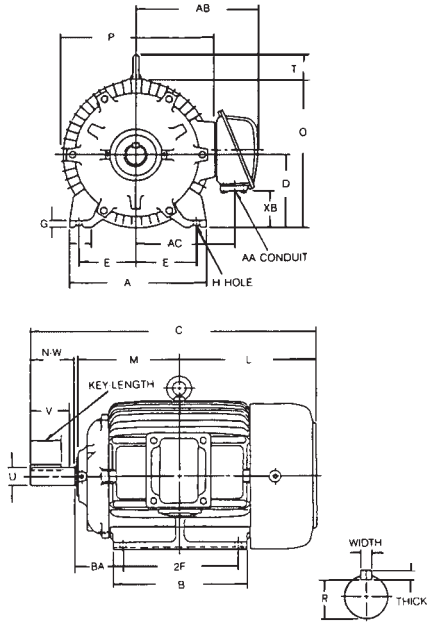


Figure 1

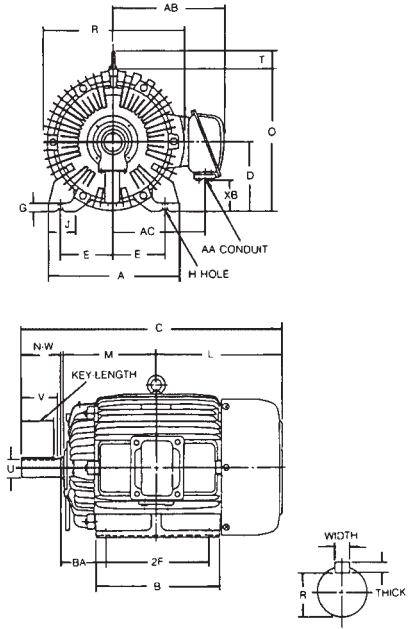


Figure 2

Frame Size	Figure Number	E	Mounting			A	B	C	D	G	J	K	L	M	O
			2F	H	BA										
254T	1	5.00	8.25	.53	4.25	11.80	9.85	23.703	6.25	0.65	1.95	—	11.33	8.06	12.80
256T	1	5.00	10.00	.53	4.25	11.80	11.80	25.435	6.25	0.65	1.95	—	12.185	8.94	12.80
284T	1	5.50	9.50	.53	4.75	14.00	11.70	26.80	7.00	0.70	2.95	—	12.68	9.23	14.50
286T	1	5.50	11.00	.53	4.75	14.00	13.20	28.30	7.00	0.70	2.95	—	13.43	9.98	14.50
324T	2	6.25	10.50	.66	5.25	15.57	12.80	29.93	8.00	1.10	3.15	—	14.18	10.27	16.20
326T	2	6.25	12.00	.66	5.25	15.75	14.35	31.42	8.00	1.10	3.15	—	14.92	11.04	16.20
365T	2	7.00	12.25	.66	5.88	17.70	14.75	33.55	9.00	1.30	3.55	—	15.67	11.79	18.00
404T	2	8.00	12.25	.81	6.62	19.68	15.15	36.30	10.00	1.57	3.93	—	16.30	12.51	20.00

Frame Size	P	T	Key			Keyseat R	Conduit Box				Shaft			Bearings	
			Width	Thick	Length		AA	AB	AC	XB	N-W	U	V	Drive End	Non Drive End
254T	13.15	2.00	.3750	.3750	2.91	1.416	1	11.10	8.74	3.22	4.00	1.625	3.90	6309	6307
256T	13.15	2.00	.3750	.3750	2.91	1.416	1	11.40	8.74	3.22	4.00	1.625	3.90	6309	6307
284T	15.05	2.00	.5000	.5000	3.28	1.591	1	12.01	9.72	3.97	4.62	1.875	4.50	6311	6310
286T	15.05	2.00	.5000	.5000	3.28	1.591	1	12.01	9.72	3.97	4.62	1.875	4.50	6311	6310
324T	16.55	2.35	.5000	.5000	3.91	1.845	2	14.57	11.22	3.59	5.25	2.125	5.15	6312	6312
326T	16.55	2.35	.5000	.5000	3.91	1.845	2	14.57	11.22	3.59	5.25	2.125	5.15	6312	6212
365T	18.05	2.80	.6250	.6250	4.28	2.021	3	16.73	12.99	2.39	5.88	2.375	5.75	6313	6213
404T	20.07	2.80	.7500	.7500	5.65	2.450	3	19.29	14.76	1.81	7.25	2.875	7.15	6317	6313

- Note:
1. Dimension D tolerance: +0.00 inch -0.03 inch.
  2. Dimension U tolerance: +0.00 inch -0.001 inch.
  3. Dimension R.Tolerance: +0.000 inch -0.015 inch.
  4. Dimension V is the length of straight part of shaft.



- Performance and construction features TEFC, HFM, 6 Pole, 1200 RPM, 460/3/60 (575V available on request)
- Design "D", high slip (above 5%), high torque
- Class "F" insulation, 1.15 SF (except 1.10 for ratings of 25HP/324T and 30HP/326T)
- Cast iron frame, endbells, fan cover
- Cast iron T-BOX C/W NEMA 4 gaskets
- F-2 T-BOX position
- Non-sparking cooling fan (plastic or cast iron)
- Stainless steel breather/drain
- Regreasable bearings C/W shaft slingers on both ends
- C/W lifting eye
- C/W thermostats, 1/phase
- CSA mark on nameplate



M O T O R S ( C A N A D A ) I N C .

West 1-800-661-4023 East 1-800-268-4770  
<http://www.twmi.com>

Vancouver, BC

Calgary, AB

Edmonton, AB

Cambridge, ON

Montreal, PQ