

# MA7200

## NEMA 4/12

The performance and features of the MA7200 are now available in a compact NEMA 4/12 enclosure with integral keypad and speed potentiometer. This rugged design makes the MA7200 the ideal AC Inverter for the Food and Beverage, Wood Processing, Packaging, Pumping and Refrigeration Industries.

- **Compact High Performance AC Inverter**
- **NEMA 4 /12 for Harsh Environments**
- **Sensorless Vector, V/Hz, and PG Feedback Control**
- **English LCD Keypad**
- **Enclosure Mounted Potentiometer**
- **PID Control**
- **UL / cUL / CE Approved**
- **230V and 460V Ratings from 1 - 20HP**



**TECO**—Westinghouse  
M O T O R S ( C A N A D A ) I N C .

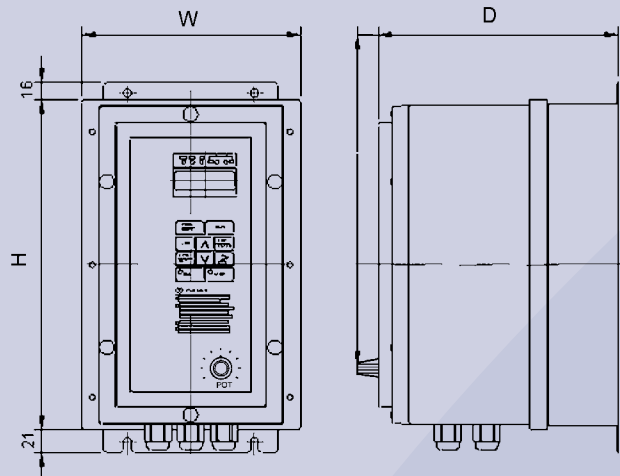


## 230V 3-Phase

MODEL NO.	HP CONSTANT TORQUE	DRIVE AMPS CONSTANT TORQUE	DIMENSIONS (Inches)			APPROX. WT. (lbs.)
			HEIGHT	WIDTH	DEPTH	
MA7200-2001-N4	1	4.8	13.19	7.80	8.54	17
MA7200-2002-N4	2	6.4	13.19	7.80	8.54	17
MA7200-2003-N4	3	9.6	13.19	7.80	8.54	17
MA7200-2005-N4	5	17.5	13.19	7.80	8.54	17
MA7200-2007-N4	7.5	24.0	18.11	8.78	9.65	36
MA7200-2010-N4	10	32.0	18.11	8.78	9.65	36
MA7200-2015-N4	15	48.0	18.11	8.78	9.65	36
MA7200-2020-N4	20	64.0	18.11	8.78	9.65	36

## 460V 3-Phase

MODEL NO.	HP CONSTANT TORQUE	DRIVE AMPS CONSTANT TORQUE	DIMENSIONS (Inches)			APPROX. WT. (lbs.)
			HEIGHT	WIDTH	DEPTH	
MA7200-4001-N4	1	2.6	13.19	7.80	8.54	17
MA7200-4002-N4	2	4.0	13.19	7.80	8.54	17
MA7200-4003-N4	3	4.8	13.19	7.80	8.54	17
MA7200-4005-N4	5	8.7	13.19	7.80	8.54	17
MA7200-4007-N4	7.5	12.0	18.11	8.78	9.65	36
MA7200-4010-N4	10	15.0	18.11	8.78	9.65	36
MA7200-4015-N4	15	24.0	18.11	8.78	9.65	36
MA7200-4020-N4	20	32.0	18.11	8.78	9.65	36



Typical Drawing

**MA7200  
NEMA 4/12**

**TECO** – Westinghouse

MOTORS (CANADA) INC.

### VANCOUVER, BC

1-800-565-6055  
Ph: (604) 684-7202  
Fx: (604) 684-7204

### EDMONTON, AB

1-800-661-4023  
Ph: (780) 444-8933  
Fx: (780) 486-4575

### CALGARY, AB

Ph: (403) 640-2063  
Fx: (403) 640-2075

### CAMBRIDGE, ON

1-800-268-4770  
Ph: (519) 624-1616  
Fx: (519) 624-1557

### LACHINE, PQ

1-888-648-1676  
Ph: (514) 636-8964  
Fx: (514) 636-4880

[www.twmi.com](http://www.twmi.com)

Printed in Canada  
03/05