

MORSE®

Washdown **RAIDER** *Plus*

White epoxy paint

- Provides superior protection and resistance to chemicals, humidity and other severe environments.

Stainless steel output shafts

- Resists moisture and chemicals.

Two double lip output seals

- Emerson exclusive sealing surfaces - helps keep contaminants out and lubrication in.

Corrosion resistant breather

- Relieves internal pressure while maintaining unit integrity.

Mylar nameplates

- Located on input bore plug.

Standard food grade synthetic lubricant

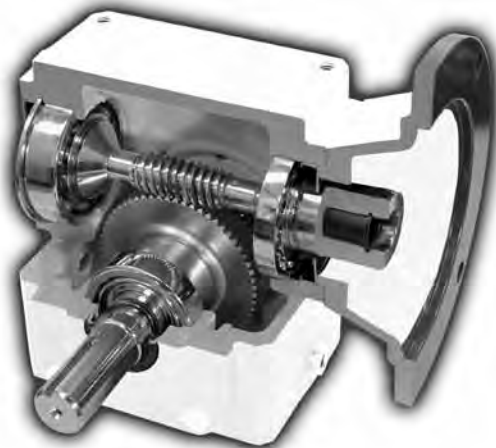
- For improved efficiency and large temperature range stability.

Corrosion resistant hardware

- Provided with reducer to allow installation in all mounting positions while preventing retention of contaminants.

Non-metallic Quill Liner

Bearing Supported Quill Input



WD
Raider Plus

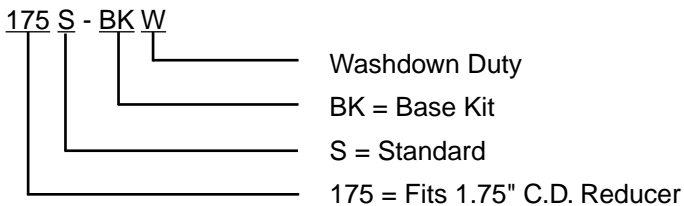
Part Description Configuration

Center Distance	Type of Input	Output Shaft Arrangement	Ratio	Washdown Duty
175	Q	LR	30	W
1.33"=133	Q = C Face Quilled	L = Left Output	5	
1.54"=154		R = Right Output	10	
1.75"=175		LR = Left & Right Output	15	
2.06"=206		W = Washdown Duty	20	
2.37"=237			25	
2.62"=262			30	
			40	
		50		
		60		

It is recommended to use the above chart to arrive at the Washdown Duty Raider Plus reducer part description. The above sample part description is 175Q56LR30W. This description does NOT include feet or other available mounting accessories that are available for the Washdown Duty Raider Plus product. These accessories are sold separately using the part descriptions for the appropriate product. Not all ratios are available in each configuration.

Accessory Descriptions

Base Kit



Selection Procedure of Washdown Worm Gear Speed Reducers

1. Determine Service Factor

From service factor the tables on pages 162 and 163 determine service factor for the application.

2. Determine the Overall Drive Ratio

$$\text{Overall drive ratio} = \frac{\text{rpm of driver}}{\text{rpm of driven}}$$

When over-all drive ratio is not one of the stock speed reducer ratios shown in tables on pages 164 through 168, a chain, belt, or gear drive with further reduction for the output side will be necessary.

3. Determine Equivalent hp

$$\text{Equivalent hp} = \text{actual motor hp} \times \text{service factor (Step \# 1)}$$

4. Determine the size of the Speed Reducer Required

Refer to pages 164 through 168 and select a speed reducer having a mechanical input horsepower equal to or slightly greater than the service factor hp calculated in Step No. 3 above.

5. Check the Overhung Load and Thrust Loads

Calculate the overhung load for drives to be mounted directly on the reducer shafts by following instructions on this page. Check this and any existing thrust loads against the load values shown on pages 164 through 168, and if the calculated load is greater than the values in the table, select a larger speed reducer.

Note: Refer combined overhung and thrust loads to Application Engineering (1 800 626 2093).

Example No. 1

Select a worm gear speed reducer for a dough mixer in a bakery. The speed reducer will be driven by a 1.0 HP, 1750 rpm, 56 Frame, C-Face motor. The left reducer output shaft will be directly coupled to the mixer shaft. The mixer will operate 8 - 10 hours daily and the shaft speed is 58 rpm. The reducer also requires a horizontal mounting base with the worm on top.

1. Determine the Service Factor

From the table on page 162, note that the service factor for a dough mixer (Food Industry) operating 3 - 10 hours per day is 1.25.

2. Determine the Overall Drive Ratio

$$\text{Overall Drive Ratio} = \frac{\text{rpm of driver}}{\text{rpm of driven}} = \frac{1750}{58} = 30.17$$

Since there is not an auxiliary output drive required, the reducer ratio needed is 30:1.

3. Determine Equivalent Horsepower

Based on service factor, go to appropriate service factor table to select reducer.

4. Determine the Size of Speed Reducer Required

From page 164 under "1750 rpm driver - 30:1 Ratio - 58 rpm output, 1.25 service factor" and under "Motor hp" find the rating equal to or greater than the 1 hp given in the example. Note that a 237 reducer has a rating of 1.45 hp. The correct part numbers required are:

Reducer: **237Q56L30W**
Base Kit: **237S-BKW**

5. Determine the Motor Horsepower

The motor horsepower is already known to be 1.0 hp.

6. Check Overhung Load and Thrust Loads

The unit will be coupling connected on the output shaft. Overhung load does not need to be calculated. There is not any thrust on the output shaft. There is neither thrust nor overhung load on the input shaft because it is mated with a C-Face motor. Therefore, the reducer selected is the proper size.

Overhung Loads

When a speed reducer is driven by any belt, chain or gear drive, or when the speed reducer drives a driven unit through a belt, chain or gear drive, overhung loads must not exceed those shown on pages 164 through 168. Use the following formula to calculate the overhung loads:

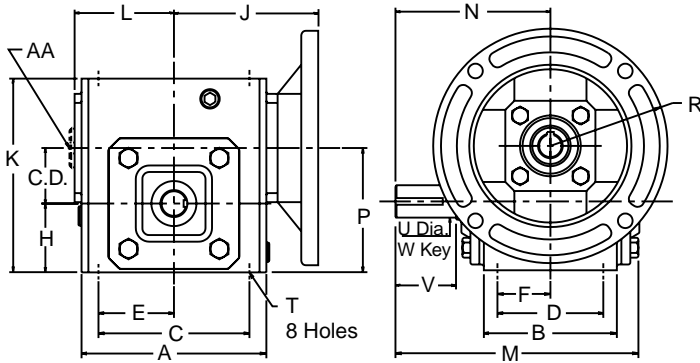
$$OL = \frac{2TK}{D}$$

where	OL	=	Overhung load
	T	=	Actual shaft torque (inch-pounds)
	D	=	P. D. of sprocket, sheave, pulley or gear
	K	=	1.0 for chain drive
		=	1.25 for gear drive
		=	1.25 for gearbelt drive
		=	1.50 for V-belt drive
		=	2.50 for flat belt drive

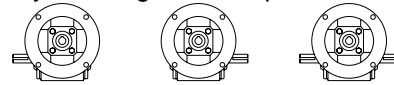
No overhung loads are encountered when the speed reducer is coupling connected to the driver and/or driven machine. However, care should be taken in aligning the shafts to avoid pre-loading bearings in misalignment.

Style QW

C-Face Quilled - Basic Unit



Assembly Drawing and Sample of Components

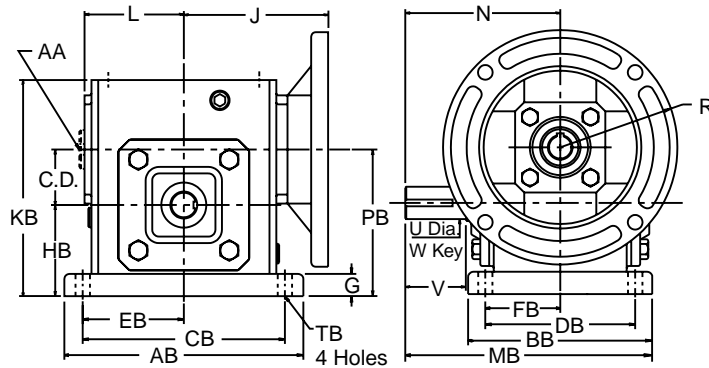


133Q56L10W 133Q56R10W 133Q56LR10W

Note: When mounting Style "QW-B", interference may occur; use a Riser Block or consult Application Engineering (1 800 626 2093).

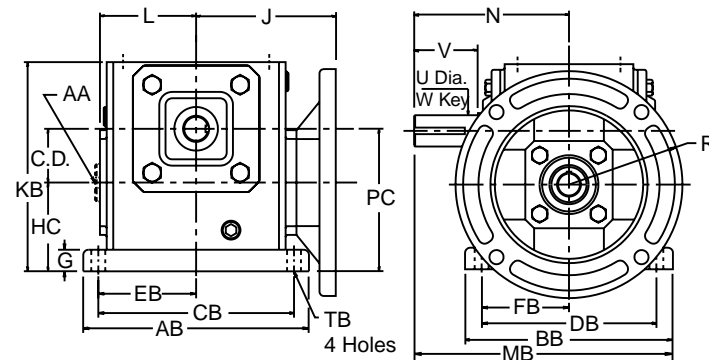
Style QW-T

Worm Top

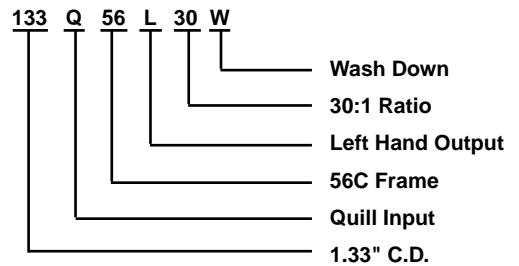


Style QW-B

Worm Bottom



PART NUMBER EXPLANATION





Dimensions (Inches) for Style "QW"

PART NUMBER ★	C.D.	NEMA FRAME	A	B	C	D	E	F	H	J	K	L	M	N	P	R
133Q56W	1.33	56C	4.00	2.88	3.25	2.00	1.62	1.00	1.72	3.94	4.66	2.12	6.01	4.00	3.05	3.25
154Q56W	1.54	56C	5.13	3.69	4.19	2.75	2.09	1.38	1.91	4.50	5.38	2.75	6.76	4.31	3.45	3.25
154Q140W	1.54	143/145TC	5.13	3.69	4.19	2.75	2.09	1.38	1.91	4.50	5.38	2.75	6.76	4.31	3.45	3.25
175Q56W	1.75	56C	4.81	3.38	4.19	2.75	2.09	1.38	2.06	4.38	5.75	2.75	6.72	4.31	3.81	3.25
175Q140W	1.75	143/145TC	4.81	3.38	4.19	2.75	2.09	1.38	2.06	4.38	5.75	2.75	6.72	4.31	3.81	3.25
206Q56W	2.06	56C	5.50	3.75	5.00	2.88	2.50	1.44	2.28	4.75	6.38	3.00	7.29	4.69	4.34	3.25
206Q140W	2.06	143/145TC	5.50	3.75	5.00	2.88	2.50	1.44	2.28	4.75	6.38	3.00	7.29	4.69	4.34	3.25
237Q56W	2.37	56C	6.13	4.06	5.00	2.88	2.50	1.44	2.50	5.06	6.94	3.56	7.78	5.08	4.88	3.25
237Q140W	2.37	143/145TC	6.13	4.06	5.00	2.88	2.50	1.44	2.50	5.06	6.94	3.56	7.78	5.08	4.88	3.25
262Q56W	2.62	56C	7.12	4.44	6.38	3.38	3.19	1.69	2.94	5.69	8.00	3.69	8.71	5.62	5.57	3.25
262Q140W	2.62	143/145TC	7.12	4.44	6.38	3.38	3.19	1.69	2.94	5.69	8.00	3.69	8.71	5.62	5.57	3.25
262Q180W	2.62	182/184TC	7.12	4.44	6.38	3.38	3.19	1.69	2.94	6.13	8.00	3.69	8.71	5.62	5.57	4.50
300Q56W	3.00	56C	8.50	5.50	7.00	4.00	3.50	2.00	3.25	5.66	8.88	4.50	10.21	6.75	6.25	3.25
300Q140W	3.00	143/145TC	8.50	5.50	7.00	4.00	3.50	2.00	3.25	5.66	8.88	4.50	10.21	6.75	6.25	3.25
300Q180W	3.00	182/184TC	8.50	5.50	7.00	4.00	3.50	2.00	3.25	6.44	8.88	4.50	10.21	6.75	6.25	4.50
325Q56W	3.25	56C	8.50	5.00	7.50	4.00	3.75	2.00	3.50	6.56	9.38	4.50	10.69	7.06	6.75	3.25
325Q140W	3.25	143/145TC	8.50	5.00	7.50	4.00	3.75	2.00	3.50	6.56	9.38	4.50	10.69	7.06	6.75	3.25
325Q180W	3.25	182/184TC	8.50	5.00	7.50	4.00	3.75	2.00	3.50	7.00	9.38	4.50	10.69	7.06	6.75	4.50

C.D.	N.E.M.A. FRAME	T		INPUT		OUTPUT SHAFT				STOCK RATIOS MARKED "x"								WT. LBS.		
						U +.000 -.001	V	W KEY		5	10	15	20	25	30	40	50		60	
								SQ.	LGTH.											
1.33	56C	5/16-18	.50	.625	3/16 X 3/32	.625	2.00	.188	1.31	x	x	x	x	x	x	x	x	x	x	17.0
1.54	56C	5/16-18	.50	.625	3/16 X 3/32	.750	1.70	.188	1.25	x	x	x	x	x	x	x	x	x	x	24.0
1.54	143/145TC	5/16-18	.50	.875	3/16 X 3/32	.750	1.70	.188	1.25	x	x	x	-	-	-	-	-	-	-	24.0
1.75	56C	5/16-18	.61	.625	3/16 X 3/32	.875	1.88	.188	1.38	x	x	x	x	x	x	x	x	x	x	27.0
1.75	143/145TC	5/16-18	.61	.875	3/16 X 3/32	.875	1.88	.188	1.38	x	x	x	-	-	-	-	-	-	-	27.0
2.06	56C	3/8-16	.61	.625	3/16 X 3/32	1.000	2.00	.250	1.75	-	x	x	x	x	x	x	x	x	x	32.0
2.06	143/145TC	3/8-16	.61	.875	3/16 X 3/32	1.000	2.00	.250	1.75	x	x	x	x	-	-	-	-	-	-	32.0
2.37	56C	3/8-16	.60	.625	3/16 X 3/32	1.125	2.26	.250	1.75	-	x	x	x	x	x	x	x	x	x	38.0
2.37	143/145TC	3/8-16	.60	.875	3/16 X 3/32	1.125	2.26	.250	1.75	-	x	x	x	x	x	x	x	x	x	38.0
2.62	56C	3/8-16	.58	.625	3/16 X 3/32	1.125	2.50	.250	2.00	-	x	x	x	x	x	x	x	x	x	50.0
2.62	143/145TC	3/8-16	.58	.875	3/16 X 3/32	1.125	2.50	.250	2.00	-	x	x	x	x	x	x	x	x	x	50.0
2.62	182/184TC	3/8-16	.58	1.125	1/4 X 1/8	1.125	2.50	.250	2.00	x	x	-	-	-	-	-	-	-	-	50.0
3.00	56C	7/16-14	.80	.625	3/16 X 3/32	1.250	3.14	.250	2.25	-	-	x	x	x	x	x	x	x	x	68.0
3.00	143/145TC	7/16-14	.80	.875	3/16 X 3/32	1.250	3.14	.250	2.25	-	x	x	x	x	x	x	x	x	x	68.0
3.00	182/184TC	7/16-14	.80	1.125	1/4 X 1/8	1.250	3.14	.250	2.25	-	x	x	x	x	x	x	x	x	x	68.0
3.25	56C	7/16-14	.80	.625	3/16 X 3/32	1.375	3.31	.313	2.88	-	x	x	x	x	x	x	x	x	x	87.0
3.25	143/145TC	7/16-14	.80	.875	3/16 X 3/32	1.375	3.31	.313	2.88	-	x	x	x	x	x	x	x	x	x	87.0
3.25	182/184TC	7/16-14	.80	1.125	1/4 X 1/8	1.375	3.31	.313	2.88	-	x	x	x	x	x	x	x	x	x	87.0

WD
Raider Plus

Dimensions (Inches) for Style "QW-T" – Worm Top

PART NUMBER	BASE KIT ◆	AB	BB	CB	DB	EB	FB	G	HB	KB	MB	PB	TB	WT. LBS.
133QW	133S-BKW	5.38	4.19	4.38	3.31	2.19	1.66	.53	2.25	5.19	6.09	3.58	.38	17.5
154QW	154S-BKW	6.44	5.46	5.25	4.32	2.63	2.16	.59	2.50	5.97	7.04	4.04	.44	24.8
175QW	175S-BKW	7.00	5.56	5.75	4.50	2.88	2.25	.69	2.75	6.44	7.09	4.50	.44	28.0
206QW	206S-BKW	7.69	5.76	6.38	4.69	3.19	2.34	.72	3.00	7.10	7.57	5.06	.50	33.5
237QW	237S-BKW	8.50	6.20	7.06	4.88	3.53	2.44	.75	3.25	7.69	8.19	5.62	.50	39.8
262QW	262S-BKW	9.25	6.50	8.00	5.25	4.00	2.63	.75	3.69	8.75	8.87	6.31	.56	52.0
300QW	300S-BKW	10.16	7.36	8.44	5.88	4.22	2.94	.88	4.13	9.76	10.43	7.13	.56	70.5
325QW	325S-BKW	11.13	7.75	9.50	6.13	4.75	3.06	.88	4.38	10.26	10.94	7.63	.56	90.0

Dimensions (Inches) for Style "QW-B"

PART NUMBER	BASE KIT ◆	HC	PC
133QW	133S-BKW	2.14	3.47
154QW	154S-BKW	2.52	4.06
175QW	175S-BKW	2.63	4.38
206QW	206S-BKW	2.75	4.81
237QW	237S-BKW	2.82	5.19
262QW	262S-BKW	3.19	5.81
300QW	300S-BKW	3.51	6.51
325QW	325S-BKW	3.51	6.76

★ To complete Part No. add shaft assembly (L, R, LR) and ratio symbol to size - for example 133Q56LR10W.
 ◆ Components needed to make assembled reducer must be ordered separately.
 Washdown duty base kits are dimensionally identical to solid base kits on page 220 except for washdown duty paint.

All sales are made on our STANDARD TERMS AND CONDITIONS OF SALE in effect at the time a customer's order is accepted. The current Terms and Conditions are set forth below:

STANDARD TERMS AND CONDITIONS OF SALE (September 2, 2009)

These Terms and Conditions, the attendant quotation or acknowledgment and all documents incorporated by specific reference therein, will be the complete and exclusive statement of the terms of the agreement governing the sale of goods ("Goods") by Emerson Power Transmission Corporation and its divisions and subsidiaries ("Seller") to Customer ("Buyer"). Buyer's acceptance of the Goods will manifest Buyer's assent to these Terms and Conditions. If these Terms and Conditions differ in any way from the terms and conditions of Buyer's order, or other documentation, this document will be construed as a counteroffer and will not be deemed an acceptance of Buyer's terms and conditions which conflict herewith.

- 1. PRICES:** Unless otherwise specified in writing by Seller, Seller's price for the goods shall remain in effect for thirty (30) days after the date of Seller's quotation or acknowledgment of Buyer's order for the Goods, whichever occurs first, provided an unconditional, complete authorization for the immediate shipment of the Goods is received and accepted by Seller within such time period. If such authorization is not received by Seller within such thirty (30) day period, Seller shall have the right to change the price for the Good to Seller's price for the Goods at the time of shipment.
- 2. TAXES:** Any tax or governmental charge or increase in same hereafter becoming effective increasing the cost to Seller of producing, selling or delivering the Goods or of procuring material used therein, and any tax now in effect or increase in same payable by the Seller because of the manufacture, sale or delivery of the Goods, may at Seller's option, be added to the price.
- 3. TERMS OF PAYMENT:** Subject to the approval of Seller's Credit Department, terms are net thirty (30) days from date of Seller's invoice in U.S. currency. If any payment owed to Seller is not paid when due, it shall bear interest, at a rate to be determined by Seller, which shall not exceed the maximum rate permitted by law, from the date on which it is due until it is paid. Seller shall have the right, among other remedies, either to terminate the Agreement or to suspend further performance under this and/or other agreements with Buyer in the event Buyer fails to make any payment when due. Buyer shall be liable for all expenses, including attorneys' fees, relating to the collection of past due amounts.
- 4. SHIPMENT AND DELIVERY:** Shipments are made F.O.B. Seller's shipping point. Any claims for shortages or damages suffered in transit shall be submitted by the Buyer directly to the carrier. While Seller will use all reasonable commercial efforts to maintain the delivery date acknowledged or quoted by Seller, all shipping dates are approximate. Seller reserves the right to make partial shipments and to segregate "specials" and made-to-order Goods from normal stock Goods. Seller shall not be bound to tender delivery of any Goods for which Buyer has not provided shipping instructions.
- 5. QUANTITY:** Buyer agrees to accept overruns of up to ten percent (10%) of the order on "made-to-order" Goods, including parts. Any such additional items shall be priced at the price per item charged for the specific quantity ordered.
- 6. LIMITED WARRANTY:** Subject to the limitations of Section 7, Seller warrants that the Goods will be free from defects in material and workmanship under normal use, service and maintenance for a period of one year (unless otherwise specified by Seller in writing) from the date of shipment of the Goods by Seller. **THIS IS THE SOLE AND EXCLUSIVE WARRANTY GIVEN BY SELLER WITH RESPECT TO THE GOODS AND IS IN LIEU OF AND EXCLUDES ALL OTHER WARRANTIES, EXPRESS OR IMPLIED, ARISING BY OPERATION OF LAW OR OTHERWISE, INCLUDING WITHOUT LIMITATION, MERCHANTABILITY OR FITNESS FOR A PARTICULAR PURPOSE WHETHER OR NOT THE PURPOSE OR USE HAS BEEN DISCLOSED TO SELLER IN SPECIFICATIONS, DRAWINGS OR OTHERWISE, AND WHETHER OR NOT SELLER'S PRODUCTS ARE SPECIFICALLY DESIGNED AND/OR MANUFACTURED BY SELLER FOR BUYER'S USE OR PURPOSE.**

This warranty does not extend to any losses or damages due to misuse, accident, abuse, neglect, normal wear and tear, unauthorized modification or alteration, use beyond rated capacity, or improper installation, maintenance or application. To the extent that Buyer or its agents has supplied specifications, information, representation of operating conditions or other data to Seller in the selection or design of the Goods and the preparation of Seller's quotation, and in the event that actual operating conditions or other conditions differ from those represented by Buyer, any warranties or other provisions contained herein which are affected by such conditions shall be null and void. If within thirty (30) days after Buyer's discovery of any warranty defects within the warranty period, Buyer notifies Seller thereof in writing, Seller shall, at its option, repair or replace F.O.B. point of manufacture, or refund the purchase price for that portion of the goods found by Seller to be defective. Failure by Buyer to give such written notice within the applicable time period shall be deemed an absolute and unconditional waiver of Buyer's claim for such defects. Goods repaired or replaced during the warranty period shall be covered by the foregoing warranty for the remainder of the original warranty period or ninety (90) days, whichever is longer. Buyer assumes all other responsibility for any loss, damage, or injury to persons or property arising out of, connected with, or resulting from the use of Goods, either alone or in combination with other products/components.

SECTIONS 6 AND 7 APPLY TO ANY ENTITY OR PERSON WHO MAY BUY, ACQUIRE OR USE SELLER'S GOODS, INCLUDING ANY ENTITY OR PERSON WHO BUYS THE GOODS FROM SELLER'S DISTRIBUTOR AND SUCH ENTITY OR PERSON SHALL BE BOUND BY THE LIMITATIONS THEREIN.

7. LIMITATION OF REMEDY AND LIABILITY: THE SOLE AND EXCLUSIVE REMEDY FOR BREACH OF ANY WARRANTY HEREUNDER (OTHER THAN THE WARRANTY PROVIDED UNDER SECTION 13) SHALL BE LIMITED TO REPAIR, REPLACEMENT OR REFUND OF THE PURCHASE PRICE UNDER SECTION 6. SELLER SHALL NOT BE LIABLE FOR DAMAGES CAUSED BY DELAY IN PERFORMANCE AND IN NO EVENT, REGARDLESS OF THE FORM OF THE CLAIM OR CAUSE OF ACTION (WHETHER BASED IN CONTRACT, INFRINGEMENT, NEGLIGENCE, STRICT LIABILITY, OTHER TORT OR OTHERWISE), SHALL SELLER'S LIABILITY TO BUYER AND/OR ITS CUSTOMERS EXCEED THE PRICE TO BUYER OF THE SPECIFIC GOODS PROVIDED BY SELLER GIVING RISE TO THE CLAIM OR CAUSE OF ACTION. BUYER AGREES THAT IN NO EVENT SHALL SELLER'S LIABILITY TO BUYER AND/OR ITS CUSTOMERS EXTEND TO INCLUDE INCIDENTAL, CONSEQUENTIAL OR PUNITIVE DAMAGES. THE TERM "CONSEQUENTIAL DAMAGES" SHALL INCLUDE, BUT NOT BE LIMITED TO, LOSS OF ANTICIPATED PROFITS, LOSS OF USE, LOSS OF REVENUE, COST OF CAPITAL AND DAMAGE OR LOSS OF OTHER PROPERTY OR EQUIPMENT.

It is expressly understood that any technical advice furnished by Seller with respect to the use of the Goods is given without charge, and Seller assumes no obligation

or liability for the advice given, or results obtained, all such advice being given and accepted at Buyer's risk.

GOODS AND/OR SERVICES SOLD HEREUNDER ARE NOT FOR USE IN ANY NUCLEAR AND RELATED APPLICATIONS. Buyer accepts goods and/or services with the foregoing understanding, agrees to communicate the same in writing to any subsequent purchaser or users and to defend, indemnify and hold harmless Seller from any claims, losses, suits, judgments and damages, including incidental and consequential damages, arising from such use, whether the cause of action be based in tort, contract or otherwise, including allegations that the Seller's liability is based on negligence or strict liability.

8. EXCUSE OF PERFORMANCE: Seller shall not be liable for delays in performance or for non-performance due to acts of God, acts of Buyer, war, riot, fire, flood, other severe weather, sabotage, or epidemics; strikes or labor disturbances; governmental requests, restrictions, laws, regulations, orders or actions; unavailability of or delays in transportation; default of suppliers; or unforeseen circumstances or any events or causes beyond Seller's reasonable control. Deliveries may be suspended for an appropriate period of time as a result of the foregoing. If Seller determines that its ability to supply the total demand for the Goods, or to obtain material used directly or indirectly in the manufacture of the Goods, is hindered, limited or made impracticable due to causes addressed in this Section 8, Seller may allocate its available supply of the Goods or such material (without obligation to acquire other supplies of any such Goods or material) among itself and its purchasers on such basis as Seller determines to be equitable without liability for any failure of performance which may result therefrom. Deliveries suspended or not made by reason of this section may be canceled by Seller upon notice to Buyer without liability, but the balance of the agreement shall otherwise remain unaffected.

9. CANCELLATIONS AND DELAYS: The Buyer may cancel orders only upon written notice and upon payment to Seller of cancellation charges which include, among other things, all costs and expenses incurred and commitments made by the Seller and a reasonable profit thereon. Any request by Buyer to extend the delivery schedule must be agreed to in writing by the Seller. If agreement cannot be reached, Seller may deliver product to the last known ship to address and invoice the Buyer upon completion of the product or prior delivery date, whichever is later.

10. CHANGES: Buyer may request changes or additions to the Goods consistent with Seller's specifications and criteria. In the event such changes or additions are accepted by Seller, Seller may revise the price and delivery schedule. Seller reserves the right to change designs and specifications for the Goods without prior notice to Buyer, except with respect to Goods being made-to-order for Buyer.

11. TOOLING: Tool, die, and pattern charges, if any, are in addition to the price of the Goods and are due and payable upon completion of the tooling. All such tools, dies and patterns shall be and remain the property of Seller. Charges for tools, dies, and patterns do not convey to Buyer, title, ownership interests in, or rights to possession or removal, nor prevent their use by Seller for other purchasers, except as otherwise expressly provided by Seller and Buyer in writing with reference to this provision.

12. ASSIGNMENT: Buyer shall not assign its rights or delegate its duties hereunder or any interest therein or any rights hereunder without the prior written consent of the Seller, and any such assignment, without such consent, shall be void.

13. PATENTS AND COPYRIGHTS: Subject to Section 7, Seller warrants that the Goods sold, except as are made specifically for Buyer according to Buyer's specifications, do not infringe any valid U.S. patent or copyright in existence as of the date of delivery. This warranty is given upon the condition that Buyer promptly notify Seller of any claim or suit involving Buyer in which such infringement is alleged, and, that Buyer cooperate fully with Seller and permit Seller to control completely the defense or compromise of any such allegation of infringement. Seller's warranty as to use only applies to infringements arising solely out of the inherent operation (i) of such Goods, or (ii) of any combination of Goods in a system designed by Seller. In the event such Goods, singularly or in combination, are held to infringe a U.S. patent or copyright in such suit, and the use of such Goods is enjoined, or in the case of a compromise by Seller, Seller shall have the right, at its option and expense, to procure for Buyer the right to continue using such Goods, or replace them with non-infringing Goods; or modify same to become non-infringing; or grant Buyer a credit for the depreciated value of such Goods and accept return of them.

14. MISCELLANEOUS: These terms and conditions set forth the entire understanding and agreement between Seller and Buyer, and supersede all other communications, negotiations and prior oral or written statements regarding the subject matter of these terms and conditions. No change, modification, rescission, discharge, abandonment, or waiver of these terms and conditions of Sale shall be binding upon the Seller unless made in writing and signed on its behalf by an officer of the Seller. No conditions, usage or trade, course of dealing or performance, understanding or agreement purporting to modify, vary, explain, or supplement these Terms and Conditions shall be binding unless hereafter made in writing and signed by the party to be bound, and no modification shall be affected by the acceptance of purchase orders or shipping instruction forms containing terms at variance with or in addition to those set forth herein. Any such modifications or additional terms are specifically rejected by Seller. No waiver by Seller with respect to any breach or default or any right or remedy and no course of dealing, shall be deemed to constitute a continuing waiver of any other breach or default or of any other right or remedy, unless such waiver be expressed in writing and signed by the party to be bound. Seller is not responsible for typographical or clerical errors made in any quotation, orders or publications. All such errors are subject to correction. The validity, performance, and all other matters relating to the interpretation and effect of this contract shall be governed by the law of the state of New York. The United Nations Convention on the International Sale of Goods shall not apply to any transaction hereunder.