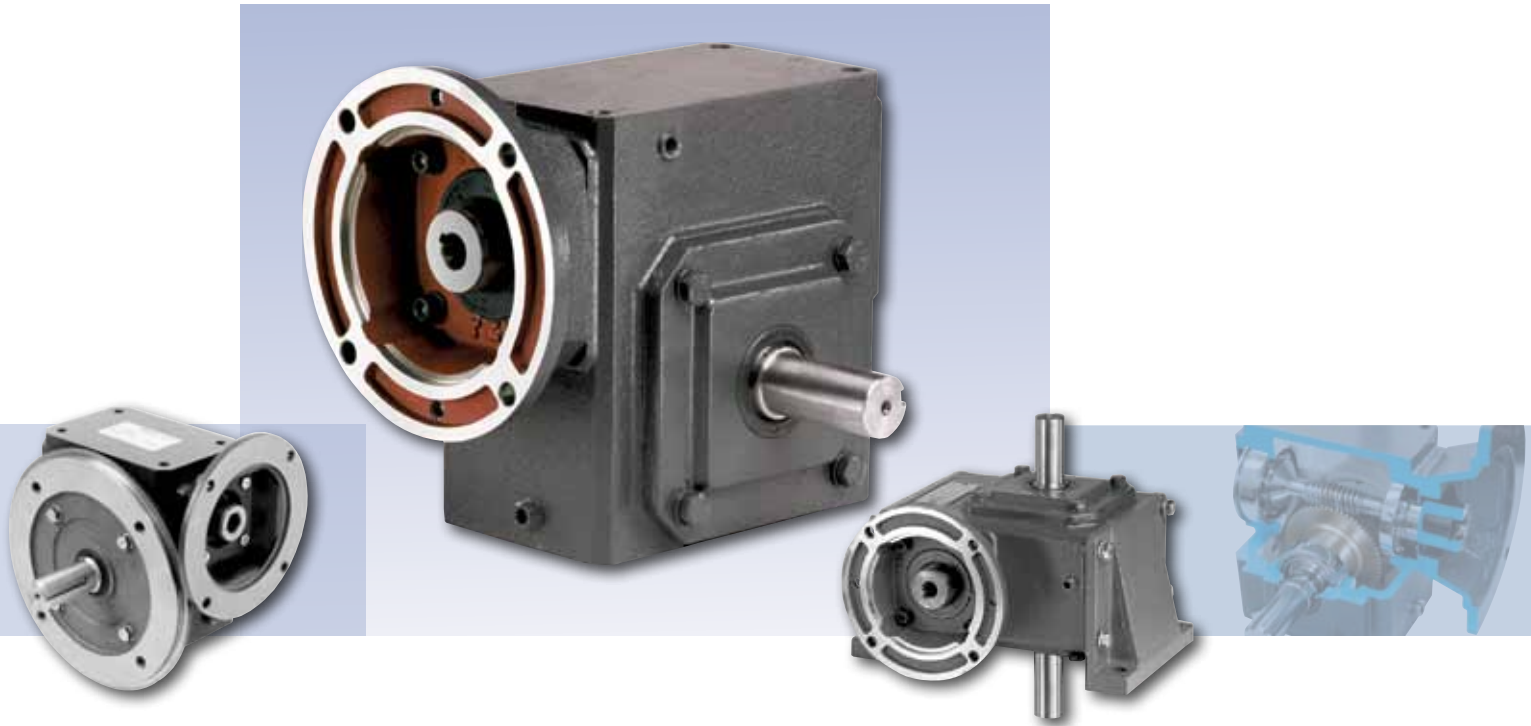




Raider® Plus Worm Gear Reducer



Product Overview

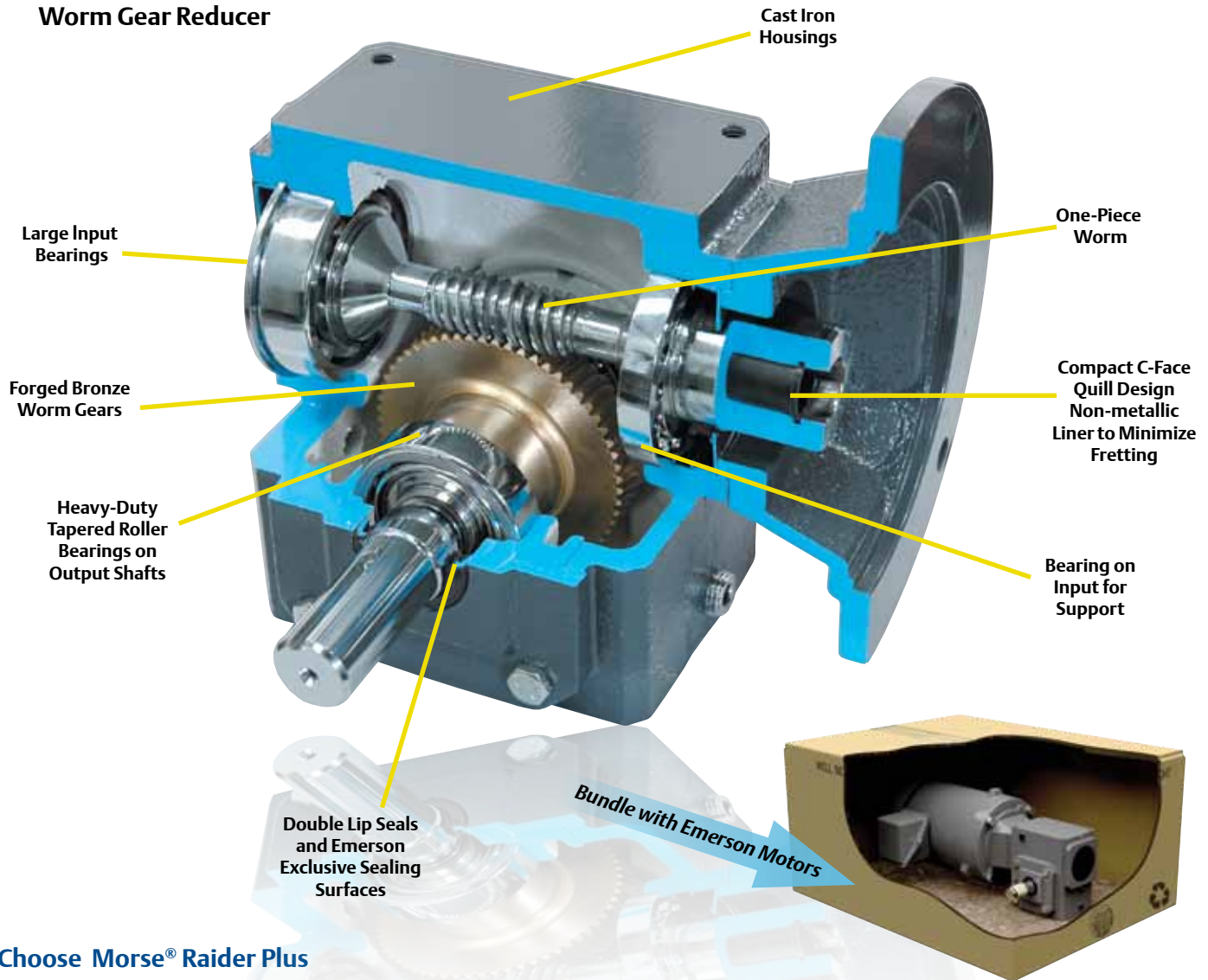
- Center distances from 1.00" thru 6.00"
- Standard ratios of 5, 10, 15, 20, 25, 30, 40, 50 and 60: 1 in single reduction
- Tack-on adaptor allows conversion to double reduction units with ratios up to 3600:1
- All cast iron construction
 - Also available in corrosion resistant options
 - Stainless Steel
 - Wash Down Duty white epoxy
- Millions of possible configurations from stock components
 - 4 basic housing styles combined with numerous accessories allow conversion into a wide variety of styles in minutes

Features and Benefits

- Computerized gear assembly
 - Optimize gear mesh = less heat
- Textured journal finish
 - Yields 4 X Seal life vs. plunge ground shafts
- Non-metallic quill liner
 - Eases motor removal
- Bearing on input quill
 - Minimizes wobble and seal misalignment
- Factory-filled with Polyglycol synthetic lubricant
 - Increased ratings and lower thermal rise



Raider® Plus Worm Gear Reducer



Choose Morse® Raider Plus
Worm Gear Speed Reducers



www.emerson-ept.com
Power Transmission Solutions
P.O. Box 687
Maysville, KY 41056-0687
1-800-626-2120

ADDITIONAL FEATURES AND BENEFITS

- Combine with Emerson motors for a gear & motor package - cartons designed for ease of shipping
- Plug in shafts for improved stock utilization - convert hollow shaft units to output shaft style
- Riser blocks available for motor clearance when gearbox under the conveyor
- Modified standard designs possible - contact application engineering at 800-626-2093
- Leak-free warranty available

APPLICATION CONSIDERATIONS

The proper selection and application of power transmission products and components, including the related area of product safety, is the responsibility of the customer. Operating and performance requirements and potential associated issues will vary appreciably depending upon the use and application of such products and components. The scope of the technical and application information included in this publication is necessarily limited. Unusual operating environments and conditions, lubrication requirements, loading supports, and other factors can materially affect the application and operating results of the products and components and the customer should carefully review its requirements. Any technical advice or review furnished by Emerson Power Transmission Corporation and its divisions with respect to the use of products and components is given in good faith and without charge, and Emerson assumes no obligation or liability for the advice given, or results obtained, all such advice and review being given and accepted at customer's risk.

For a copy of our Standard Terms and Conditions of Sale, Disclaimers of Warranty, Limitation of Liability and Remedy, please contact Emerson Power Transmission Customer Service at 1-800-626-2120. These terms and conditions of sale, disclaimers and limitations of liability apply to any person who may buy, acquire or use an Emerson Power Transmission Corporation product referred to herein, including any person who buys from a licensed distributor of these branded products.

Emerson Power Transmission does not warrant the accuracy of the information contained in this document. All interchanges should be compared with actual current specifications and/or manufacturing drawings. For a copy of our standard terms and conditions, contact Emerson Power Transmission at 1-800-626-2120.

Morse is a registered trademark of Borg-Warner Corporation, used herein under exclusive license. The Emerson logo is a trademark and a service mark of Emerson Electric Co. ©2009 Emerson Power Transmission, All Rights Reserved. MCF09008 • Form 9219 • Printed in USA