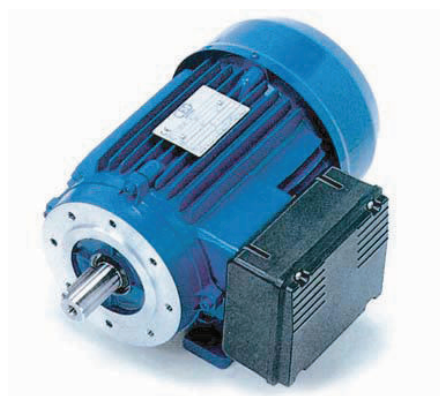


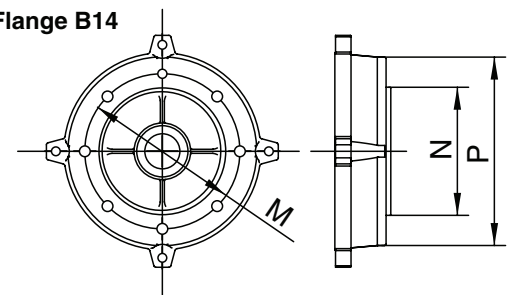
# B5 and B14 flange dimensions



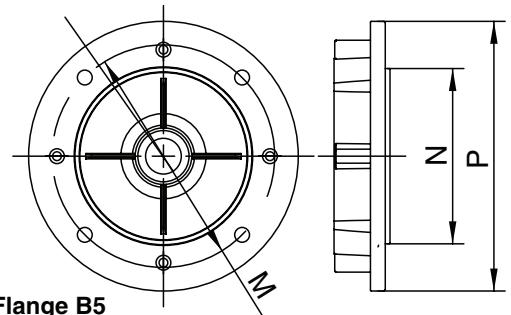
- \* Indicates Shaft Modification will be necessary in order to install flange: At additional cost
- \* Shaft diameter to be specified at time of order

"D" Flange B5					"C" Flange B14				
Frame Size	Flange Mount M	N	P	List	Frame Size	Flange Mount M	N	P	List
56	100	80	120	40	56	65	50	80	40
63	115	95	140	40	63	75	60	90	40
71	130	110	160	45	71	85	70	105	45
80	165	130	200	50	80	100	80	120	50
90	165	130	200	60	90S	115	95	140	60
90L	165	130	200	60	90L	115	95	140	60
100L	215	180	250	80	100L	130	110	160	80
112M	215	180	250	90	112M	130	110	160	90
132S	265	230	300	130	132S	165	130	200	130
132M	265	230	300	130	132M	165	130	200	130
160M	300	250	350	240	160M	215	180	250	240
160L	300	250	350	240	160L	215	180	250	240
180M	300	250	350	325					
180L	300	250	350	325					
200L/2	350	300	400	500					
200L	350	300	400	500					
225S	400	350	450	695					
225M/2	400	350	450	695					
225M	400	350	450	695					
250S/2	500	450	550	850					
250S	500	450	550	850					

"C" Flange B14



"D" Flange B5



## ALTERNATIVE FLANGES

"D" Flange B5			
Frame	Increase	Reduction	List
63	*	56	64
71		63	64
80		63/71	72
90		71	88
100		71/80/90	144
112	*	71/80/90	144
132	*	110/112	208
160	*	132	650

"C" Flange B14			
Frame	Increase	Reduction	List
63	71/80	56	64
71	80/90	63	64
80	90/100	71	72
90	100/112	80	88
100	132	90	128
112	132		128

Please note: prices are subject to change without notice